

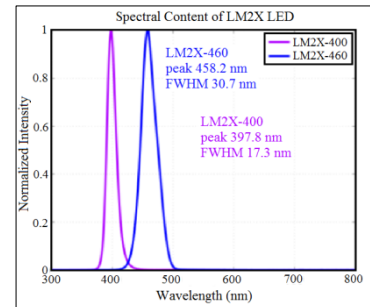
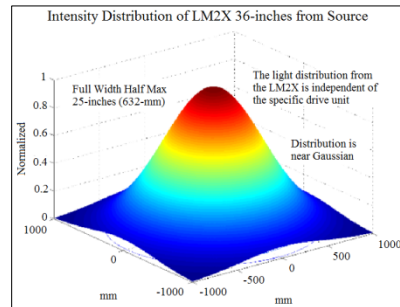
LM2XX-DMHP LED Light Source

(Product ID: LM2XX-DMHP-400, LM2XX-DMHP-460)

The LM2XX-DMHP is a 2-inch, water-cooled LED light source that provides uniform, stable illumination for Pressure and Temperature Sensitive Paint measurements. The unit is designed for lifetime systems by connecting to the DMHP driver box (module for lifetime). Operation is controlled by applying a TTL voltage to the external BNC on the DMHP module. In this mode the rise and fall times are less than 1- μ s and the duty cycle is 5%. The maximum pulse width is limited to ~1-ms. The LM2XX-DMHP has a built-in safety circuit to protect the LED head if these limits are exceeded. The light distribution from the unit is approximately Gaussian for distance greater than 18-inches [45-cm] from the source. The units are available in 400-nm and 460-nm packages, however, other wavelengths are available upon request. This unit surpasses the performance of an LM2X-DMHP air-cooled system as it offers a significant increase in power (~2 times that of an LM2X-DMHP). Maximum input pressure to the control box is 90 psi. An external water source is required to cool the LED module. The control box contains a flow meter and safety circuit to shut off power to the LED if the flow rate is too low or the LED approaches overheat temperatures.



LM2XX-DMHP components: LED head, umbilical, and control box.



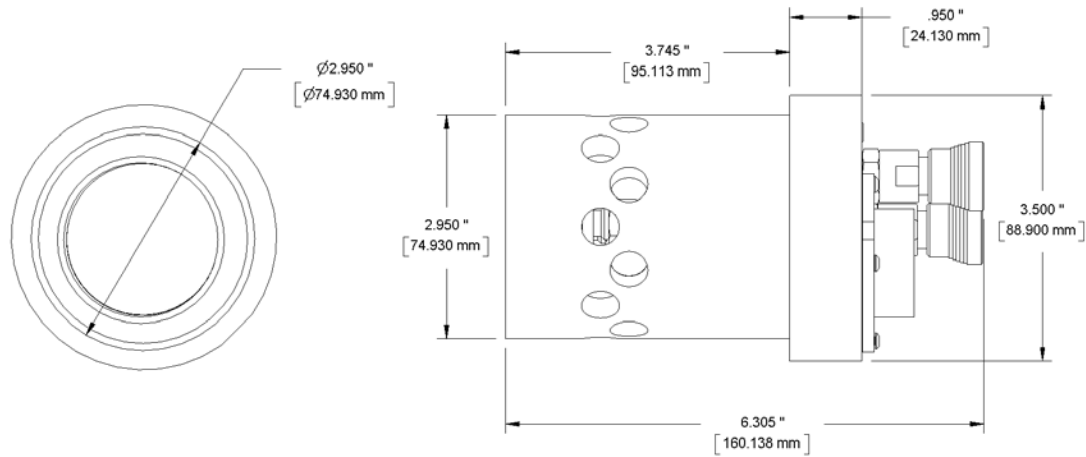
SPECIFICATIONS

Optical Power	1.6-2.4 W @ 5% duty factor
Input	110-240 VAC, 50-60 Hz
Stability	~0.1 % per hour after warmup
Wavelength	400-nm, 460-nm
Rise time (10% - 90%)	< 300-ns
Fall time (90% - 10%)	< 125-ns
Maximum Duty Cycle	5%
Operating Temperature	-10°C to 60°C
FWHM	+/- 18-nm
Umbilical Cable	10-ft (3.3m) / 20-ft (6.6m)
Warranty	1 Year
ECCN	EAR99

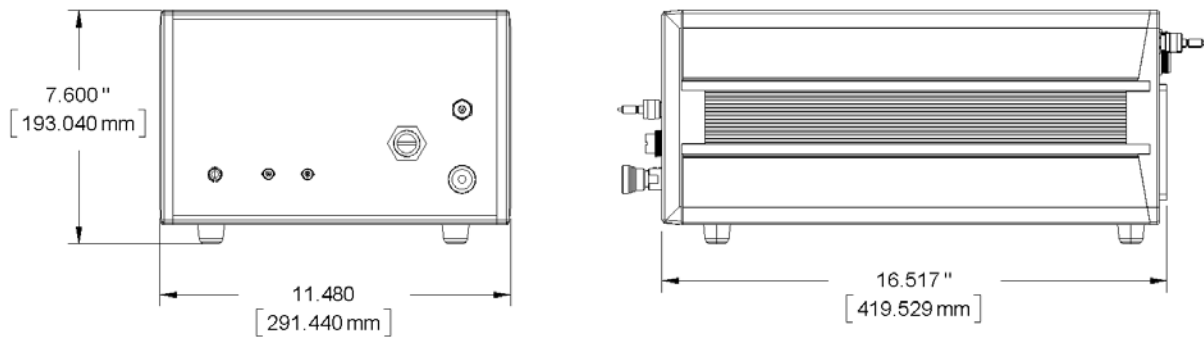
Innovative Scientific Solutions, Inc.
 7610 McEwen Road, Dayton, OH 45459
 Phone (937) 630-3012 Fax (937) 630-3015

email: issi-sales@innssi.com
 web: www.psp-tsp.com

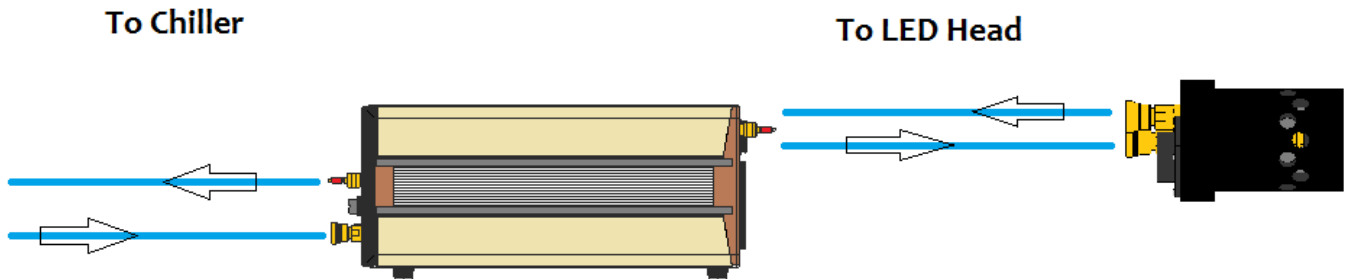
Any and all underlying information and technology contained in this document may be subject to U.S. export controls, including the Export Administration Act (50 U.S.C. Appx. §§ 2401 et seq.) and the Export Administration Regulations ("EAR", 50 C.F.R. Parts 730-774), and may be subject to export or import regulations in other countries. You are responsible for complying with all trade regulations and laws both foreign and domestic. Except as authorized by law or distributor agreement with ISSI, you agree and warrant not to export or re-export the information to any country, or to any person, entity, or end-user subject to U.S. export controls, including without limitation persons or entities listed on the U.S. Department of Commerce Bureau of Export Administration's Denied Parties List and the U.S. Department of Treasury's Specially Designated Nationals. You further represent and warrant that no U.S. federal agency has suspended, revoked, or denied your export privileges.



LED Head



LED Control Box and Power Supply



Water Connection Schematic